

Freedom Portable Wheelchair Lifts

The Portable Trus-T-Lift system is on high grade casters that make it easy to move from one location to the next.

These high grade casters have a foot activated locking position to prevent the lift from moving once you have it into position.

This units low cost and ease of installation make it ideal for commercial applications.

Another key benefit is that the portable units are exempt from the ASME 18.1 standards making them a very economical way to offer wheelchair access to heights up to 52".

The portable vertical platform lift has a maximum lifting height of 52" and can lift up to 550 lbs.

The Portable Trus-T-Lift system is an institutional quality wheelchair lift.

Expanded metal construction makes the lift easy to move and allows the operator to see under the lift, making operation even safer.

Suitable for indoor use.



Portable Wheelchair Lifts Standard Features

- Smooth and quiet performance
- 550 lbs (250 kg) Lift Capacity
- 52" lifting height
- 8 feet/minute lift speed
- High grade casters with foot activated locking position to keep lift in place
- Constant pressure Soft Touch control pads for ease of operation

- Grated metal platform with full under platform visibility
- Non-skid surface
- 18" extra wide positive action reversible toe plate for universal access
- Quick and easy set up and adjustment
- Straight through access, lower access right
- Direct worm gear/Acme screw-nut drive for maintenance free operation (much lower maintenance than belted or hydraulic systems)
- Extreme weather resistant design
- Zero load start for cold weather climates (drive system allows motor to get up to full speed before lifting).
- All mechanics are fully enclosed, yet easy to access through the rear or front of the housing unit.
- Attractively finished in a durable off-white baked on finish.
- Non load bearing backup safety nut on lift shaft
- Fuse box accessible from carriage
- Keyed emergency stop and manual operation
- UL and CSA certified

Minimum 23" clearance height required. (Alternately, for lower heights, the toe plate can be removed)

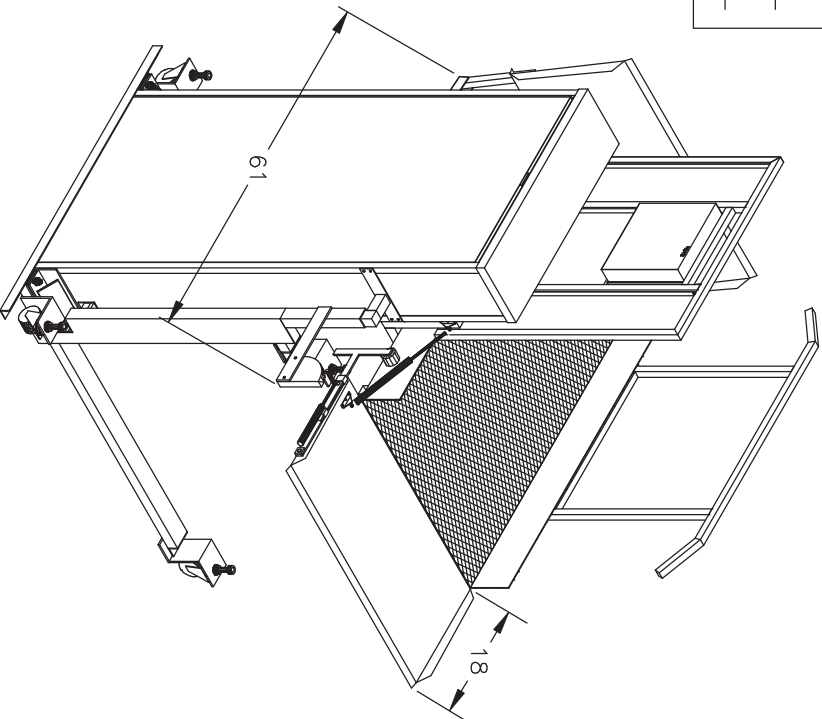
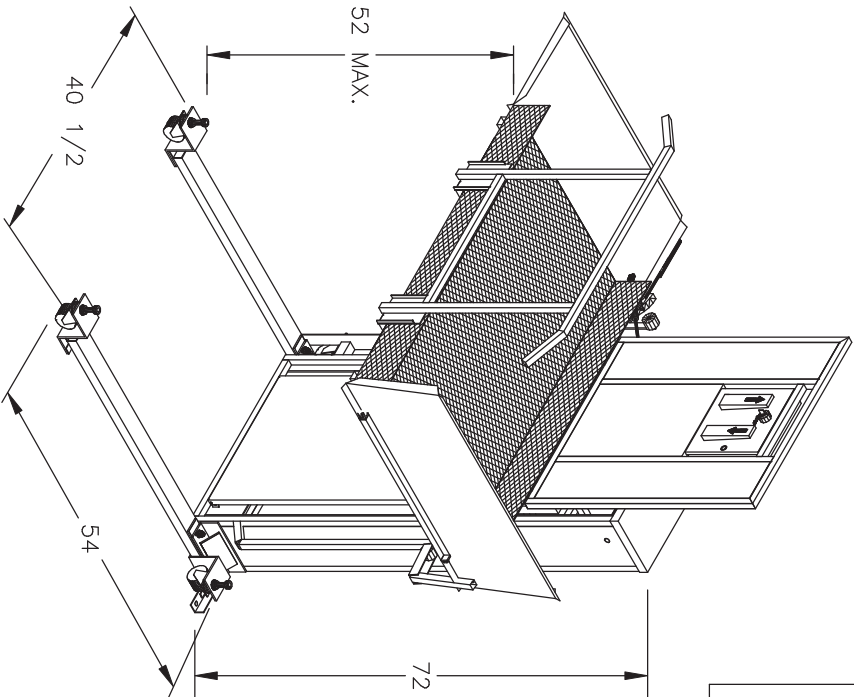
Maintenance

Maintenance of the vertical platform lift unit shall consist of regular cleaning of the unit, protection of the painted surface of the unit.


Warranty

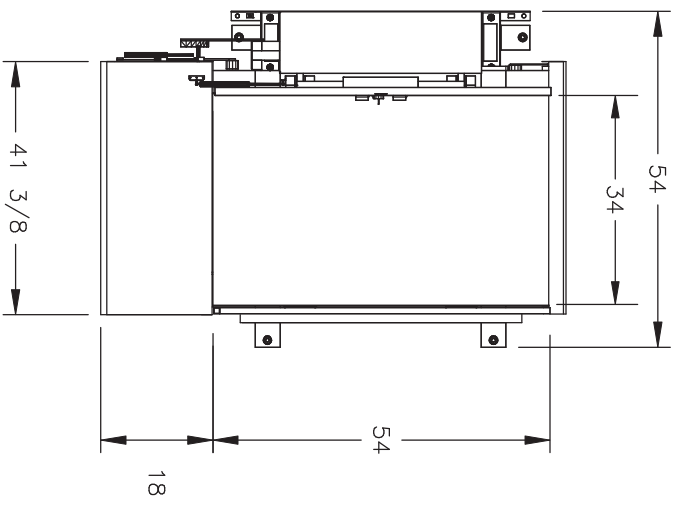
All parts are warranted against manufacture's defect for a one year period from the date of purchase. Parts are FOB Factory and shall not include labour costs required to replace the defective part(s).

Accepted as Shown
 Revise and Resubmit
 Accepted as Modified
 Date: _____
 Per: _____



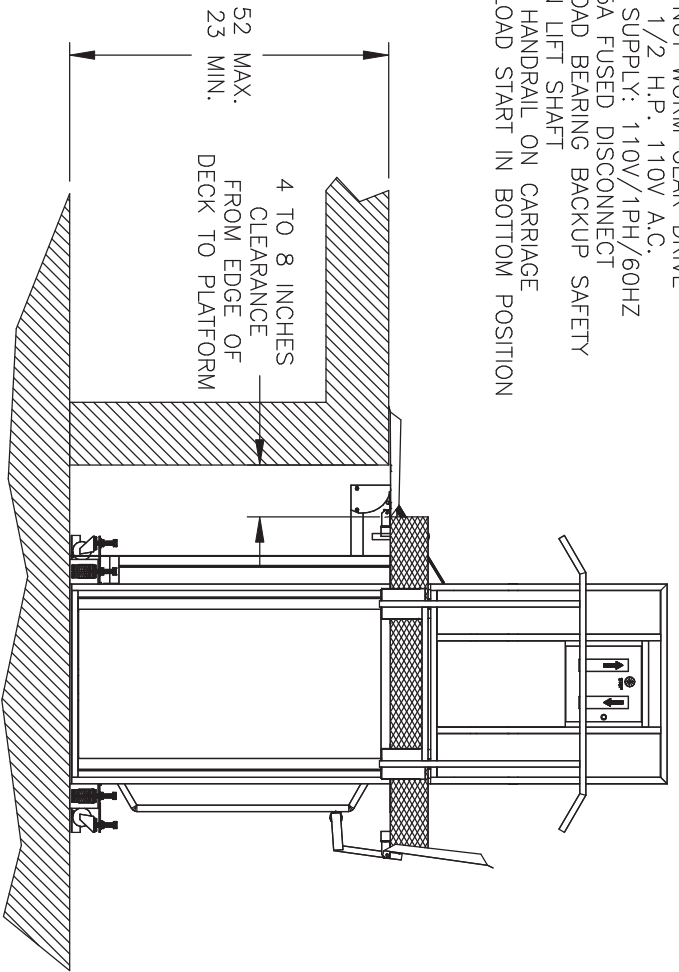
NOTES:
 — Dimensions are in inches

JOB No.	TOTAL TRAVEL	52 [1321]	INCHES mm	No. OF LANDINGS	2
LOCATION	PORTABLE TRUS<T>LIFT SAMPLE DRAWING				
ARCHITECT					
GENERAL CONTRACTOR					
B	BH	28/3/06	CORRECT DECK DIMENSIONS		
DWN. BY:		B. HANNAH			
CHECKED BY:					
SCALE:		N.T.S.			
DATE:		04/04/05			
DRAWING No.		52PORTABLE			
REV		B			
					
INSTALLATION DETAILS AND SPECIFICATIONS					



PLAN VIEW SECTION

- SPECIFICATIONS:**
- 34" x 54" LIFT PLATFORM
 - 54" x 54" FOOTPRINT
 - 72" HEIGHT
 - 23" - 52" LIFT RANGE
 - MAXIMUM LOAD 550 lbs [250 kg].
 - 8 FEET/MINUTE [2.4 METRES/MINUTE] LIFT SPEED
 - SCREW NUT WORM GEAR DRIVE
 - MOTOR: 1/2 H.P. 110V A.C.
 - POWER SUPPLY: 110V/1PH/60HZ C/W 15A FUSED DISCONNECT
 - NON-LOAD BEARING BACKUP SAFETY NUT ON LIFT SHAFT
 - SAFETY HANDRAIL ON CARRIAGE
 - ZERO-LOAD START IN BOTTOM POSITION



SECTION A-A

JOB No.	TOTAL TRAVEL	52 [1321]	INCHES mm	No. OF LANDINGS	2
LOCATION	PORTABLE TRUS<T>LIFT SAMPLE DRAWING				
ARCHITECT					
GENERAL CONTRACTOR					

B BH 28/3/06 CORRECT DECK DIMENSIONS



DWN. BY: B. HANNAH	INSTALLATION DETAILS AND SPECIFICATIONS	DATE:	04/04/05	DRAWING No.	52PORTABLE	REV	B
CHECKED BY:		SCALE:	N.T.S.				